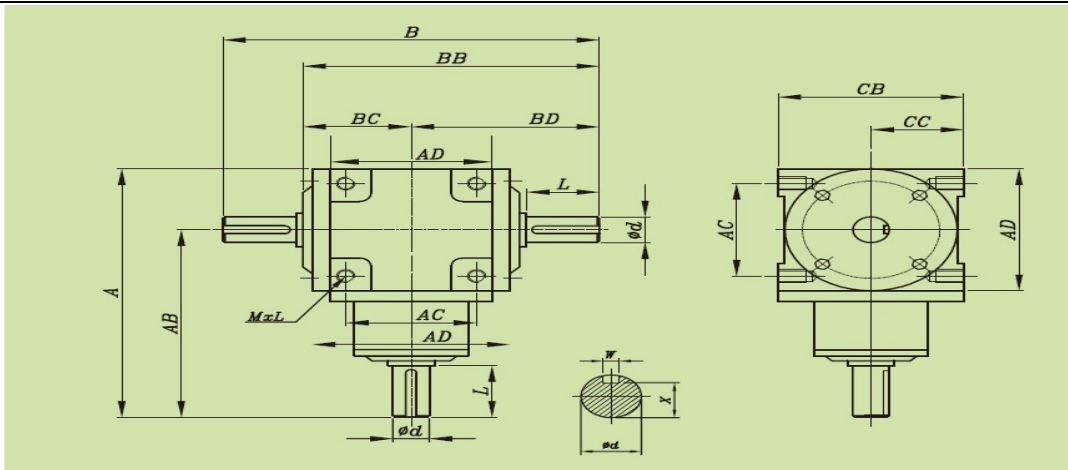
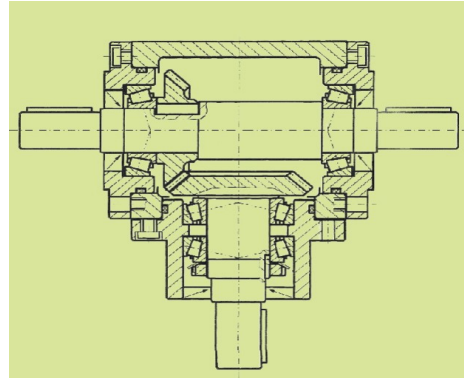
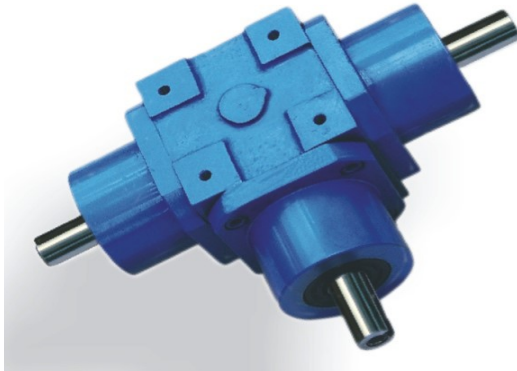


BEVEL GEAR BOX BG SERIES



DIMENSION SHEET

Type FG Solid Input/Solid Output

TYPE	A	AB	AC	AD	B	BB	BC	BD	CB	CC	L	ød	W(N9)	X	MxL
FG 10	132	100	45	65	144	116	44	72	65	32.5	26	12	4	9.5	M4x8
FG 20	195	145	76	100	216	176	68	108	92	46	35	20	6	16.5	M8x12
FG 25	247	181	108	132	268	219	85	134	108	54	48	25	8	21	M10x20
FG 35	326	250	114	152	330	265	100	165	156	78	60	32	10	27	M12x24
FG 45	395	300	152	190	416	336	128	208	190	95	75	38	10	33	M12x24
FG 55	445	335	184	220	480	377	137	240	220	110	100	55	16	49	M16x32
FG 60	500	360	220	280	534	422	155	267	295	140	110	60	18	53	M16x24
FG 75	625	445	280	360	650	527	202	325	382	180	120	75	20	67.5	M20x30

Our Other Products:



Worm Gear Screw Jacks



Hydraulic Cylinders



Hydraulic Power Packs

Note: Due to ongoing development specifications are subject to revision without any notice.



SIMIRAN FLOWTECH INDUSTRIES

174, SECTOR-24, IND. AREA, FARIDABAD-121005

Telefax : +91-129-4028353

Email : simiranflowtech@hotmail.com

Website : www.simiranflowtech.in

DATA SHEET

PAGE 2 OF 2

No : 011

DT: 28-11-2013

BEVEL GEAR BOX BG SERIES

Model FG/FGB/FGF/FGH/FGHB/FGHF 10-75

Input / output rpm	Size 10		Size 20		Size 25		Size 35		Size 45		Size 55		Size 60		Size 75	
	P kW	M2 Nm	P kW	M2 Nm	P kW	M2 Nm	P kW	M2 Nm	P kW	M2 Nm	P kW	M2 Nm	P kW	M2 Nm	P kW	M2 Nm

Ratio 1:1

50/50	0.1	17.6	0.27	50	0.63	115	1.07	195	2.42	440	5.3	960	9.0	1710	18.6	3550
250/250	0.48	17.6	1.38	50	3.18	115	5.37	195	12.1	440	26.4	960	39.3	1500	81.2	3100
500/500	0.97	17.6	2.64	48	5.78	105	9.9	180	22	400	44	800	68.1	1300	136.1	2600
750/750	1.4	17	3.8	46	8.26	100	14	170	28.9	350	57.8	700	94.2	1200	188.5	2400
1000/1000	1.76	16	4.63	42	9.9	90	16.5	150	34.7	315	66	600	115.2	1100	230.4	2200
1200/1200	2	15	5.3	40	11.2	85	19.2	145	39.6	300	72.7	550	130.1	1035	257.6	2050
1500/1500	2.4	14.5	6.28	38	13.5	82	22.3	135	44.6	270	82.6	500	155.5	990	306.3	1950
1500/1000	1.6	14.5	4.2	38	9	82	14.9	135	29.7	270	55.1	500	102.6	980	203.1	1940

Ratio 2:1

50/25	0.05	17.6	0.14	50	0.32	115	0.54	195	1.21	440	2.64	960	4.5	1700	8.9	3390
250/125	0.24	17.6	0.69	50	1.58	115	2.68	195	6	440	13.2	960	20.3	1550	39.9	3050
500/250	0.48	17.6	1.32	48	2.9	105	4.96	180	11	400	22	800	36.6	1400	70.7	2700
750/375	0.7	17	1.9	46	4.1	100	7	170	14.5	350	28.9	700	51.0	1300	98.2	2500
1000/500	0.9	16	2.3	42	4.95	90	8.3	150	17.3	315	33	600	64.4	1230	123.0	2350
1200/600	1	15	2.6	40	5.6	85	9.6	145	19.8	300	36.3	550	72.3	1150	140.1	2230
1500/750	1.2	14.5	3.1	38	6.8	82	11.1	135	22.3	270	41.3	500	88.0	1120	168.8	2150

Note: Due to ongoing development specifications are subject to revision without any notice.



Hydraulic Cylinders



Hydraulic Power Packs